



Hunter
SINCE 1886

HUNTER FAN COMPANY

7130 Goodlett Farms Pkwy., Suite 400

Memphis, TN 38016 USA

www.HunterFan.com

901.744.1200

HUNTER CEILING FANS

240v/50Hz

Hunter
SINCE 1886

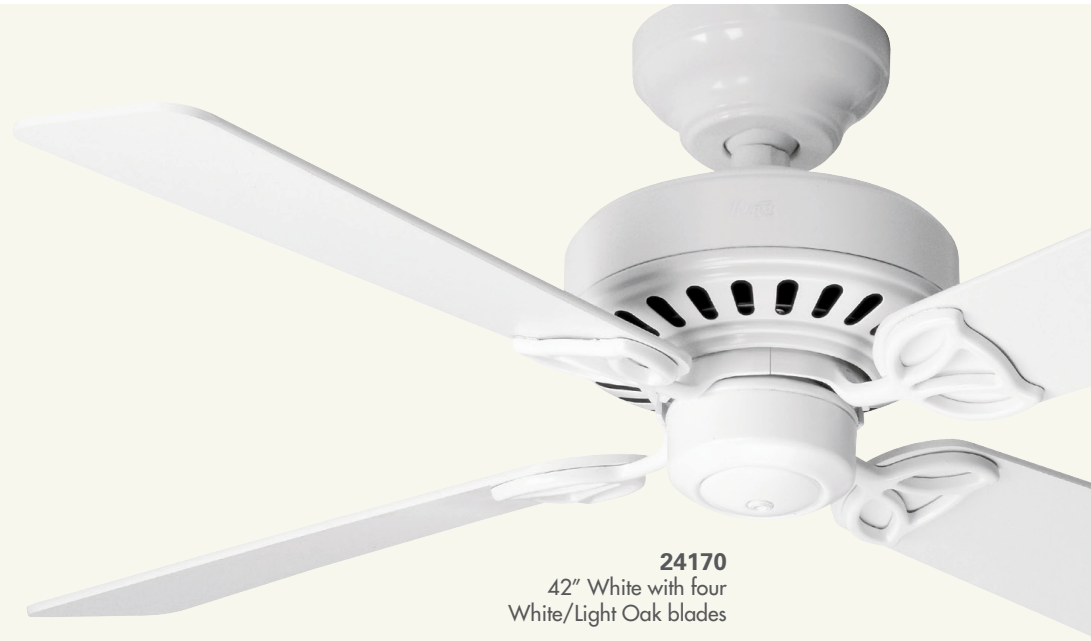


Table of Contents

Bayport	2
Caribbean Breeze	2
Lugano	3
Sonic	4
Low Profile II	5
Tribeca	6
Soho	7
Flight	8
Carera	9
Merced	10
Industrie II	11
Seville II	12
Avalon	13
Savoy	14
Classic Original	15
Cabo Frio	16
Maribel	17
Outdoor Elements II	18-19

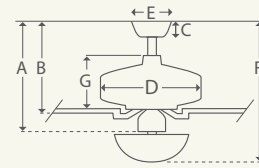
BAYPORT

- Motor size: 172 mm x 12 mm
- 42 in or 107 cm
- High output motor
- Light kit adaptable
- Limited lifetime warranty



24170
42" White with four
White/Light Oak blades

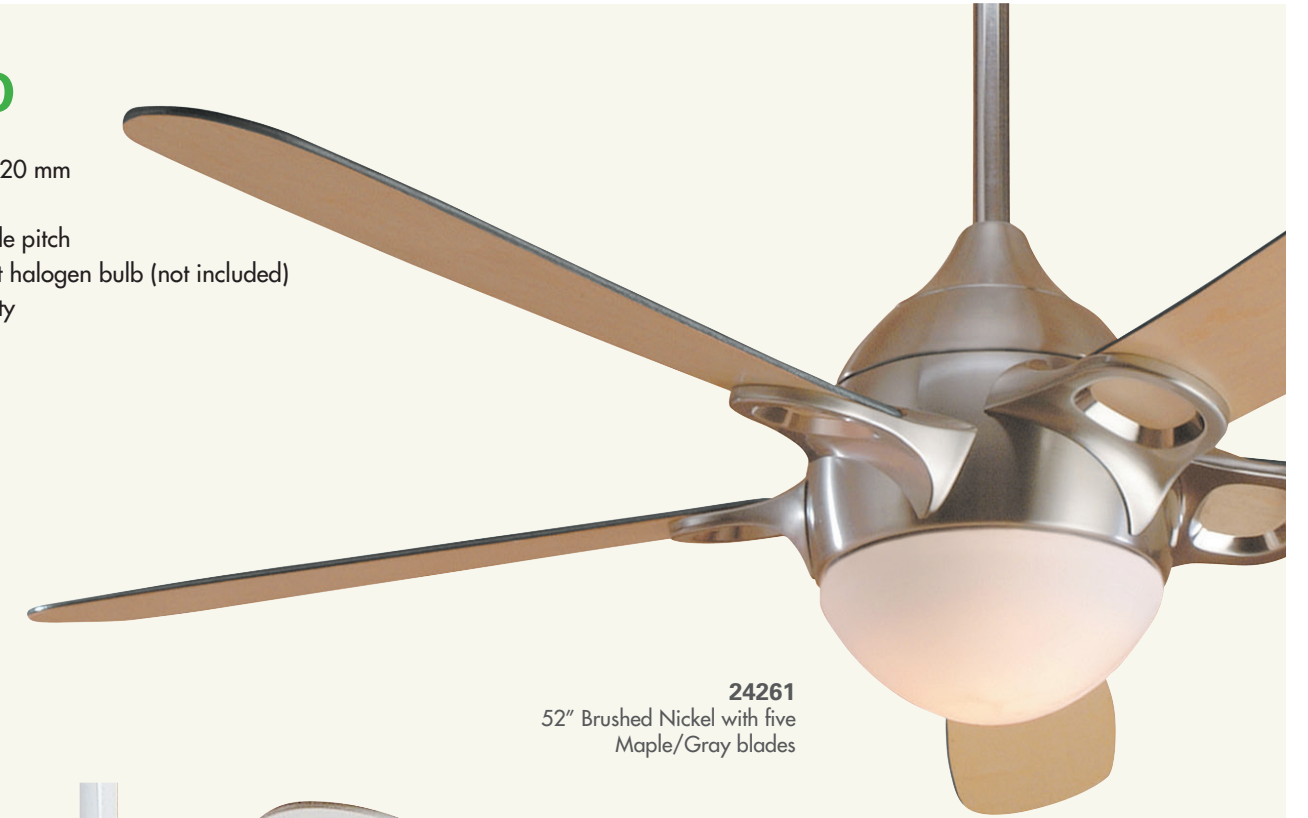
Fan Speed	RPM	Airflow	Wattage	Airflow (in m ³ /hr)	Efficiency (in m ³ /hr/w)
High	253	4154.5	59	7057.8	121.7
Medium	201	3173.8	32.2	5392.3	167.5
Low	127	1927.8	14.5	3275.4	225.9



Dimensions (in)	Dimensions (cm)
A: 13.85 in	A: 35.20 cm
B: 11.05 in	B: 28.09 cm
C: 3.25 in	C: 8.26 cm
D: 9.50 in	D: 24.13 cm
E: 6.20 in	E: 15.75 cm
F: _____	F: _____
G: _____	G: _____

LUGANO

- Motor size: 188 mm x 20 mm
- 52 in or 132 cm
- Wobble-Free, 15° blade pitch
- Uses one R7S 100 watt halogen bulb (not included)
- Limited lifetime warranty

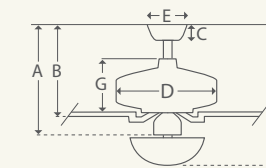


24261
52" Brushed Nickel with five
Maple/Gray blades



24266
52" White with five
White/Maple blades

Fan Speed	RPM	Airflow	Wattage	Airflow (in m ³ /hr)	Efficiency (in m ³ /hr/w)
High	165	5374	64	9130	142.7
Medium	134	4421	43.8	7511	171.5
Low	79	2651	18.1	4504	248.8



Dimensions (in)	Dimensions (cm)
A: 13.20 in	A: 33.53 cm
B: 9.20 in	B: 23.37 cm
C: 3.25 in	C: 8.26 cm
D: 15.38 in	D: 39.07 cm
E: 6.20 in	E: 15.75 cm
F: 18.11 in	F: 46.00 cm
G: _____	G: _____

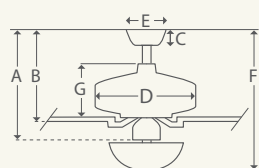
CARIBBEAN BREEZE

- Motor size: 172 mm x 15 mm
- 54 in or 137 cm
- Socket size E27
- Uses two 13 watt CFL bulbs or two 60W incandescents (not included)
- Limited lifetime warranty



24457
54" Weathered Bronze with five
Antique Wicker blades

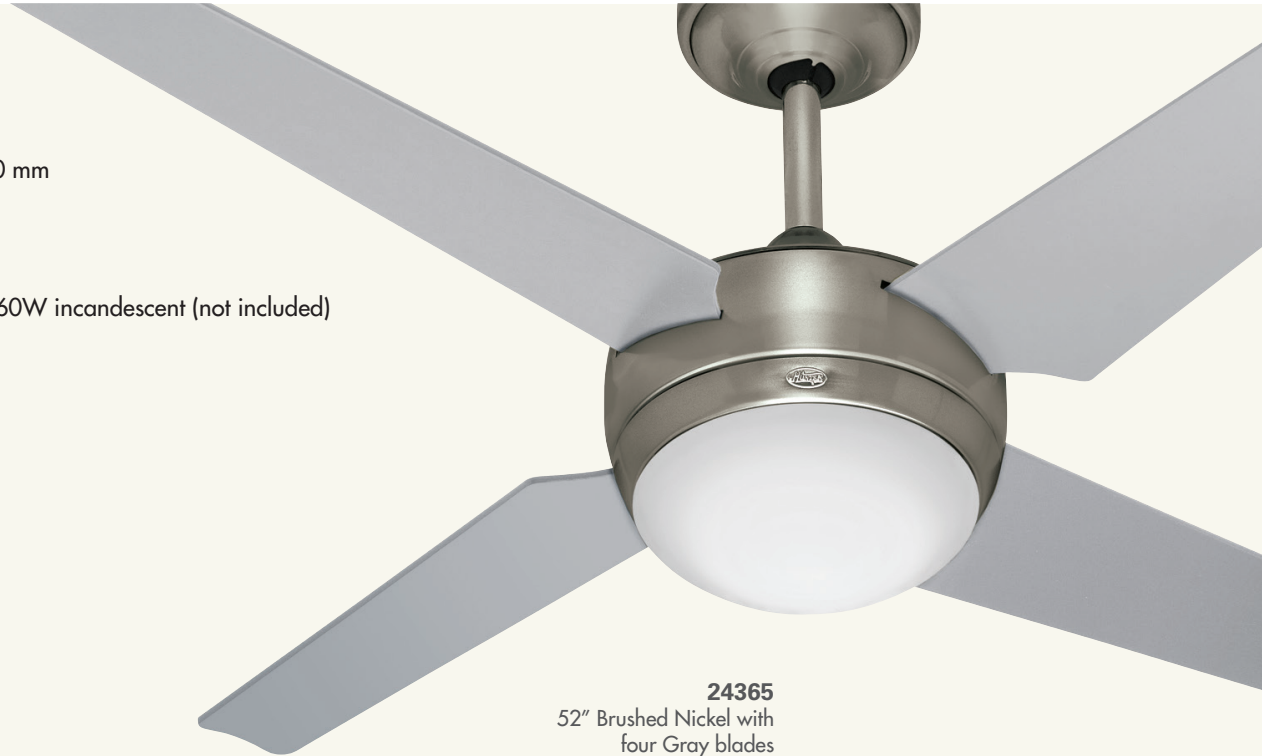
Fan Speed	RPM	Airflow	Wattage	Airflow (in m ³ /hr)	Efficiency (in m ³ /hr/w)
High	215	3512	57	5967	104.7
Medium	195	3192	45	5423	120.5
Low	118	1807	20	3070	153.5



Dimensions (in)	Dimensions (cm)
A: 15.29 in	A: 38.84 cm
B: 14.03 in	B: 36.32 cm
C: 3.25 in	C: 8.26 cm
D: 15.38 in	D: 39.07 cm
E: 6.20 in	E: 15.75 cm
F: 23.12 in	F: 58.72 cm
G: _____	G: _____

SONIC

- Motor size: 172 mm x 20 mm
- 52 in or 132 cm
- WhisperWind motor
- Socket size E27
- Uses one 13 CFL bulb or 60W incandescent (not included)
- Wall control (included)
- Limited lifetime warranty

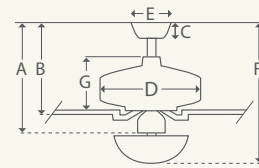


24365
52" Brushed Nickel with
four Gray blades



24366
52" White with
four White blades

Fan Speed	RPM	Airflow	Wattage	Airflow (in m ³ /hr)	Efficiency (in m ³ /hr/w)
High	221	5759	59.8	9785	163.6
Medium	188	5156	44.1	8760	198.6
Low	115	3211	19.1	5456	285.6



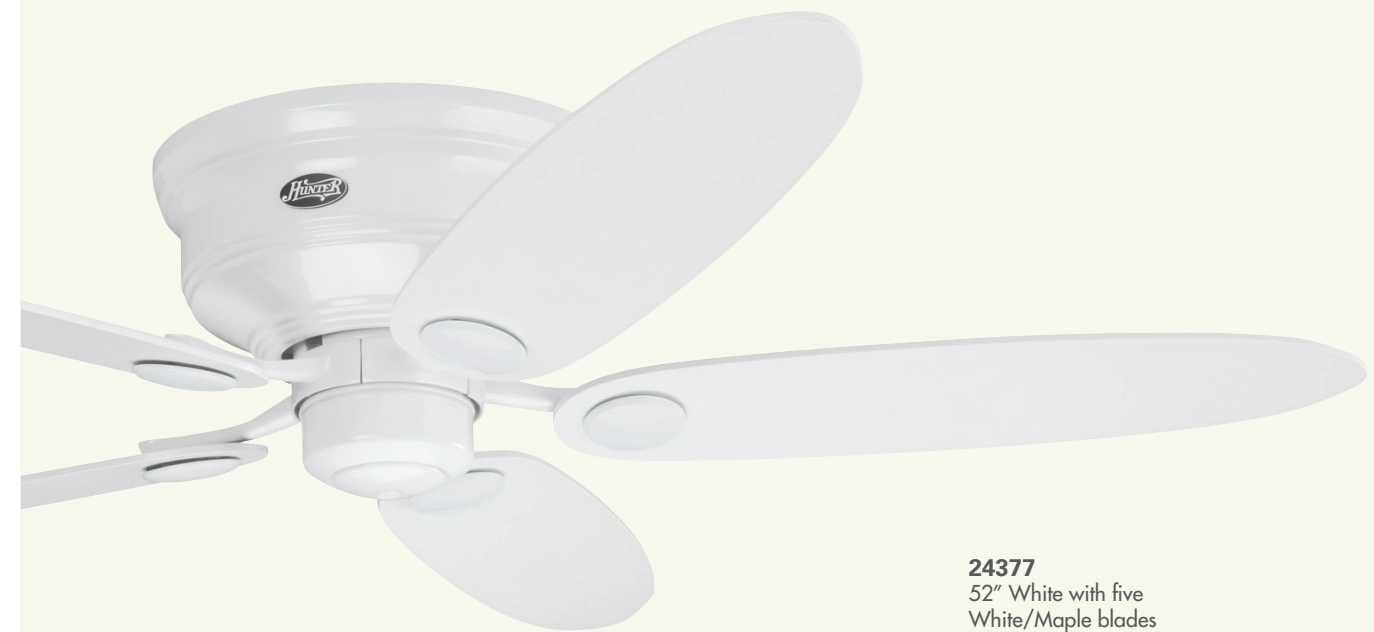
Dimensions (in)	Dimensions (cm)
A: 11.79 in	A: 29.94 cm
B: 10.40 in	B: 26.41 cm
C: 3.81 in	C: 9.67 cm
D: 10.67 in	D: 27.10 cm
E: 6.20 in	E: 15.74 cm
F: 16.11 in	F: 40.91 cm
G: 4.82 in	G: 12.24 cm

LOW PROFILE III

- Motor size: 172 mm x 15 mm
- 52 in or 132 cm
- Optional 44 in or 112 cm (included)
- Light kit adaptable
- Limited lifetime warranty

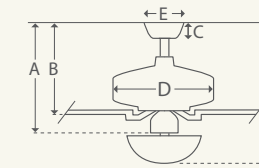


24372
52" Brushed Nickel with five
Maple/Chocolate blades



24377
52" White with five
White/Maple blades

Fan Speed	RPM	Airflow	Wattage	Airflow (in m ³ /hr)	Efficiency (in m ³ /hr/w)
High	210	2810	74.4	4774	64.17
Medium	153	1988	38.7	3395	87.72
Low	85	1188	14.5	2018	139.2



Dimensions (in)	Dimensions (cm)
A: 9.21 in	A: 23.39 cm
B: 7.80 in	B: 19.81 cm
C: —	C: —
D: 12.50 in	D: 31.75 cm
E: —	E: —
F: —	F: —
G: —	G: —

TRIBECA

- Motor size: 172 mm x 15 mm AM
- 60 in or 152 cm
- Wall control operated (included)
- Light kit adaptable
- Limited lifetime warranty

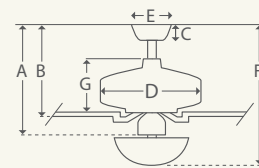


24292
60" Brushed Nickel with
three Maple/Gray blades



24297
60" White with
three White/Maple blades

Fan Speed	RPM	Airflow	Wattage	Airflow (in m ³ /hr)	Efficiency (in m ³ /hr/w)
High	146	6087	72	10340	143.6
Medium	103	4188	38.5	7115	184.8
Low	62	2400	15.6	4078	261.4



Dimensions (in)	Dimensions (cm)
A: 13.00 in	A: 33.02 cm
B: 14.43 in	B: 36.65 cm
C: 3.25 in	C: 8.26 cm
D: 7.50 in	D: 19.05 cm
E: 6.20 in	E: 15.75 cm
F: —	F: —
G: 5.70 in	G: 5.70 cm

SOHO

- Motor size: 172 mm x 15 mm AM
- 52 in or 132 cm
- Wall control operated (included)
- Light kit adaptable
- Limited lifetime warranty

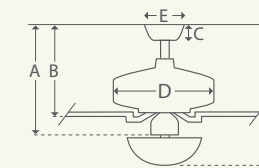


24275
52" Brushed Nickel with three
Chocolate/Maple blades



24277
52" White with three
White/Maple blades

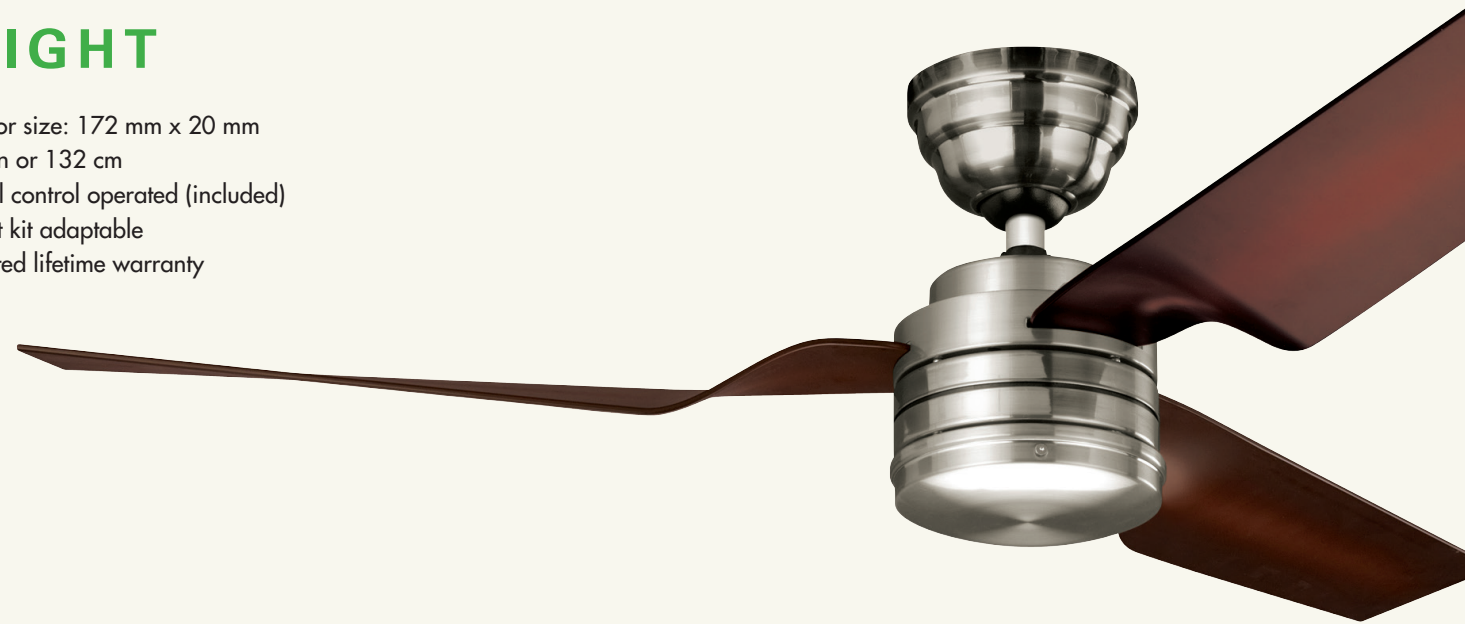
Fan Speed	RPM	Airflow	Wattage	Airflow (in m ³ /hr)	Efficiency (in m ³ /hr/w)
High	217	5900	67.5	10020	148.5
Medium	165	4500	39	7646	196
Low	99	2480	15.7	4214	268.4



Dimensions (in)	Dimensions (cm)
A: 14.80 in	A: 37.59 cm
B: 13.58 in	B: 34.49 cm
C: 3.25 in	C: 8.26 cm
D: 7.50 in	D: 19.05 cm
E: 6.20 in	E: 15.75 cm
F: —	F: —
G: 5.70 in	G: 14.48 cm

FLIGHT

- Motor size: 172 mm x 20 mm
- 52 in or 132 cm
- Wall control operated (included)
- Light kit adaptable
- Limited lifetime warranty

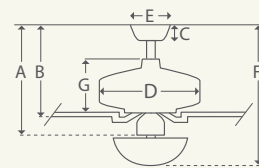


24230
52" Brushed Nickel with three
Coffee Beech blades



24233
52" White with three
White blades

Fan Speed	RPM	Airflow	Wattage	Airflow (in m ³ /hr)	Efficiency (in m ³ /hr/w)
High	165	5553	66	9435	142.9
Medium	139	4128	51.3	7013	186.5
Low	73	2254	20	3830	191.5



Dimensions (in)	Dimensions (cm)
A: 12.80 in	A: 32.51 cm
B: 11.00 in	B: 27.94 cm
C: 3.25 in	C: 8.26 cm
D: 6.89 in	D: 17.50 cm
E: 6.20 in	E: 15.75 cm
F: —	F: —
G: 3.41 in	G: 8.66 cm

CARERA

- Motor size: 172 mm x 18 mm
- 52 in or 132 cm
- Light kit adaptable
- Limited lifetime warranty



24243
52" Brushed Nickel with three
Maple/Dark Walnut blades

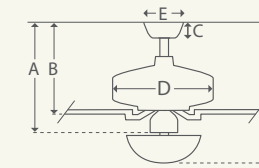


24246
52" White with three
White/Maple blades



24241
52" Graphite with three
Chestnut/Graphite blades

Fan Speed	RPM	Airflow	Wattage	Airflow (in m ³ /hr)	Efficiency (in m ³ /hr/w)
High	208	5733	65	9740	149.9
Medium	161	4229	38	7185	189.1
Low	101	2565	16	4358	272.4



Dimensions (in)	Dimensions (cm)
A: 12.68 in	A: 32.21 cm
B: 8.50 in	B: 21.59 cm
C: 3.25 in	C: 8.26 cm
D: 8.00 in	D: 20.32 cm
E: 6.20 in	E: 15.75 cm
F: —	F: —
G: —	G: —

MERCED

- Motor size: 153 mm x 20 mm
- 44 in or 112 cm
- Uses one R7S 100 watt halogen bulb (not included)
- Limited lifetime warranty

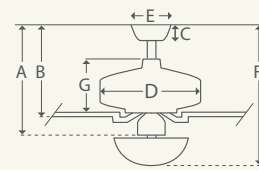


24085
44" Brushed Nickel with three
Gray/Maple blades



24086
44" Chalk White with three
White/Beech blades

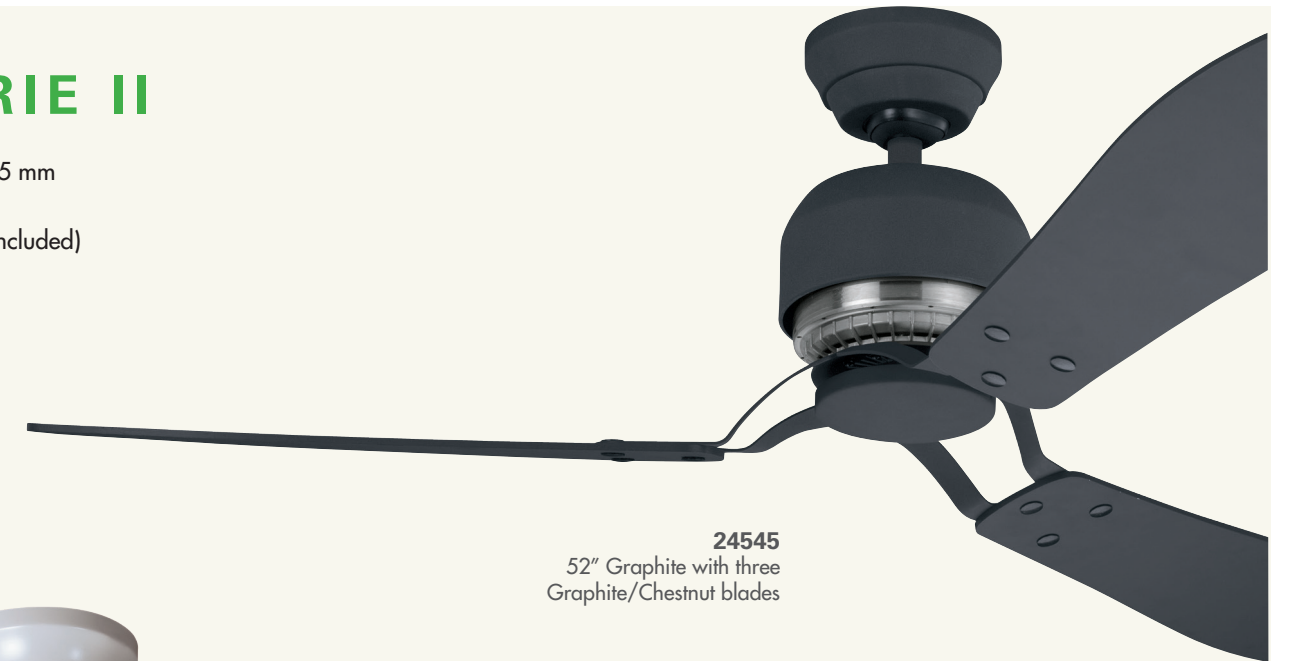
Fan Speed	RPM	Airflow	Wattage	Airflow (in m ³ /hr)	Efficiency (in m ³ /hr/w)
High	267	4056.2	48.9	6891	140.9
Medium	238	3578	34.2	6080	177.8
Low	173	2675.5	17.5	4546	259.8



Dimensions (in)	Dimensions (cm)
A: 12.25 in	A: 31.12 cm
B: 8.50 in	B: 21.59 cm
C: 3.25 in	C: 8.26 cm
D: 7.00 in	D: 17.78 cm
E: 6.20 in	E: 15.75 cm
F: 14.50 in	F: 36.83 cm
G: _____	G: _____

INDUSTRIE II

- Motor size: 172 mm x 15 mm
- 52 in or 132 cm
- Wall control operated (included)
- Light kit adaptable
- Limited lifetime warranty



24545
52" Graphite with three
Graphite/Chestnut blades

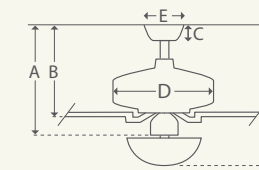


24547
52" White with three
White/Maple blades



24542
52" Brushed Chrome with three
Gray/Teak blades

Fan Speed	RPM	Airflow	Wattage	Airflow (in m ³ /hr)	Efficiency (in m ³ /hr/w)
High	185	5900	70	10020	143.2
Medium	139	4280	39	7272	186.5
Low	83	2440	15.7	4146	264.0



Dimensions (in)	Dimensions (cm)
A: 13.00 in	A: 33.02 cm
B: 14.43 in	B: 36.65 cm
C: 3.25 in	C: 8.26 cm
D: 7.50 in	D: 19.05 cm
E: 6.20 in	E: 15.75 cm
F: _____	F: _____
G: 5.70 in	G: 14.48 cm

SEVILLE II

- Motor size: 172 mm x 15 mm
- 44 in or 112 cm
- Light kit adaptable
- Limited lifetime warranty



24038
44" Brushed Nickel with five Maple/Gray blades



24034
44" Brass with five Walnut/Medium Oak blades

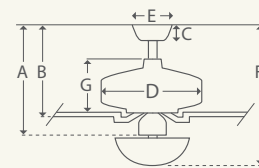


24039
44" New Bronze with five Dark Cherry/Medium Oak blades



24037
44" White with five White/Light Oak blades

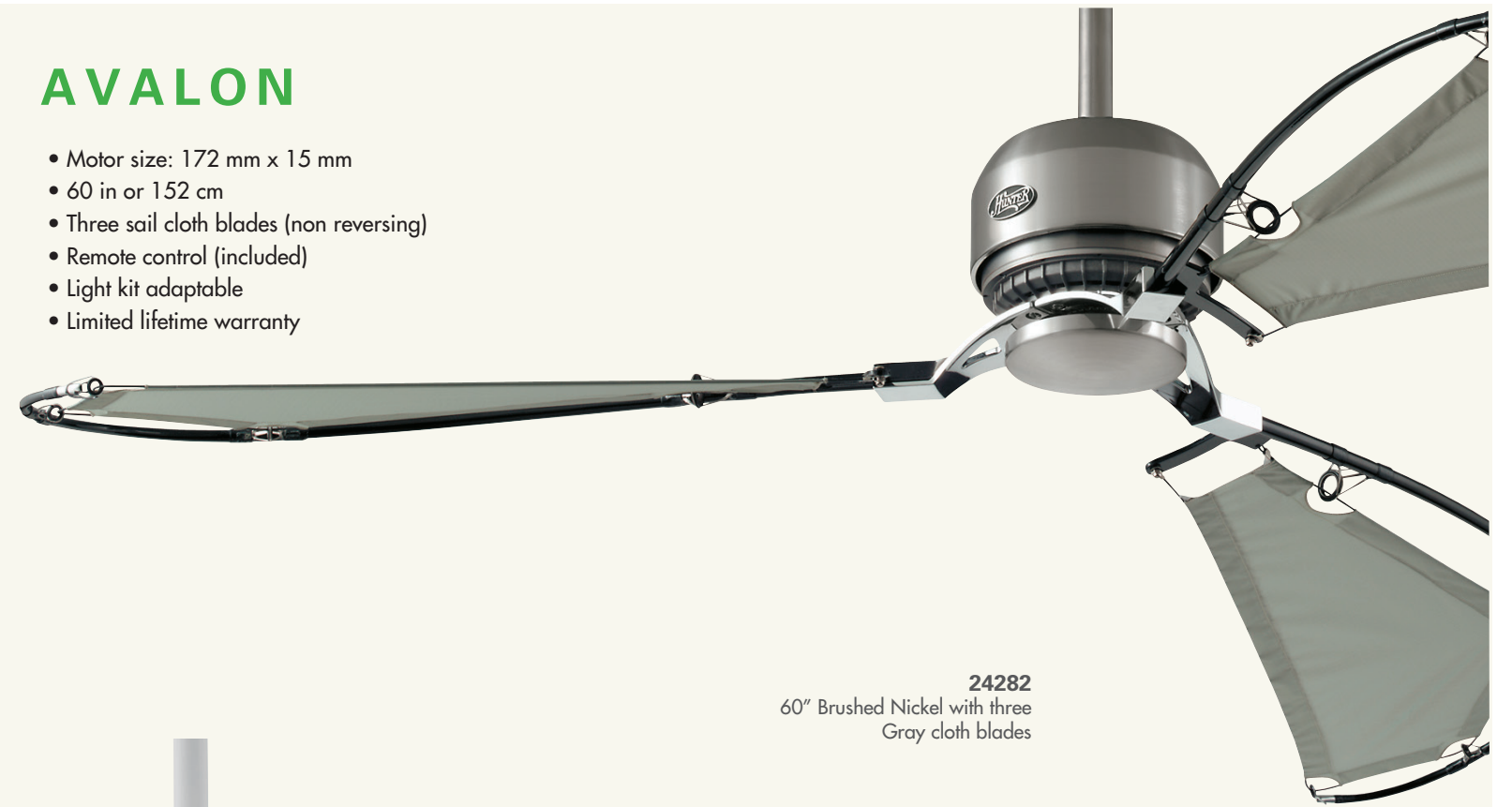
Fan Speed	RPM	Airflow	Wattage	Airflow (in m ³ /hr)	Efficiency (in m ³ /hr/w)
High	235	4604	63.6	7822	123
Medium	210	3968	45	6742	149.8
Low	142	2651	21.7	4504	207.6



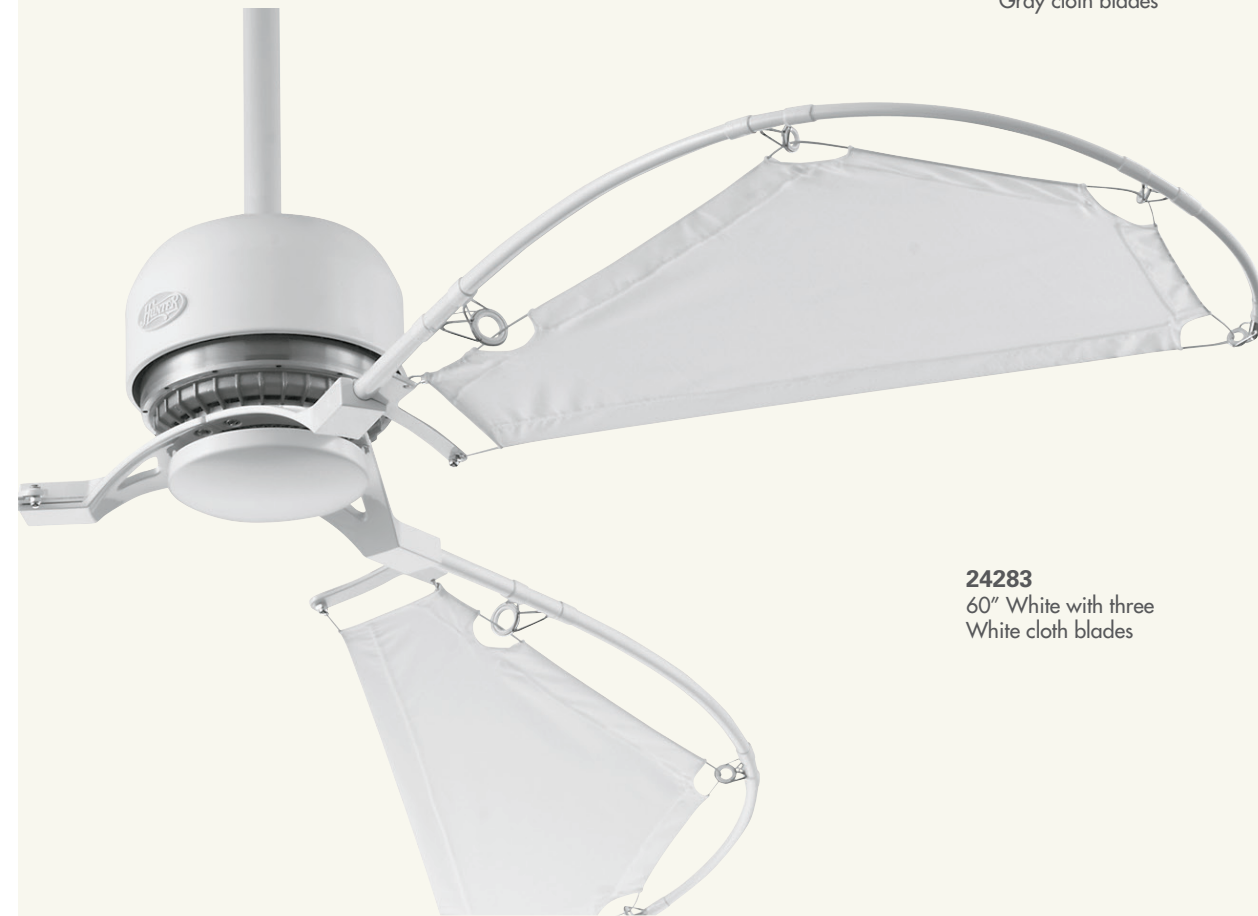
Dimensions (in)	Dimensions (cm)
A: 13.00 in	A: 33.02 cm
B: 10.91 in	B: 27.71 cm
C: 3.25 in	C: 8.26 cm
D: 10.71 in	D: 27.20 cm
E: 6.20 in	E: 15.75 cm
F: —	F: —
G: 4.75 in	G: 12.06 cm

AVALON

- Motor size: 172 mm x 15 mm
- 60 in or 152 cm
- Three sail cloth blades (non reversing)
- Remote control (included)
- Light kit adaptable
- Limited lifetime warranty

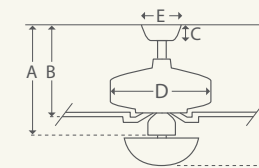


24282
60" Brushed Nickel with three Gray cloth blades



24283
60" White with three White cloth blades

Fan Speed	RPM	Airflow	Wattage	Airflow (in m ³ /hr)	Efficiency (in m ³ /hr/w)
High	104	5536	69.6	9405.7	135.1
Medium	80	3985	38	6770.6	178.2
Low	52	2203.8	15	3744.3	249.6



Dimensions (in)	Dimensions (cm)
A: 13.00 in	A: 33.03 cm
B: 17.33 in	B: 44.03 cm
C: 2.90 in	C: 7.37 cm
D: 7.50 in	D: 19.05 cm
E: 6.20 in	E: 15.75 cm
F: —	F: —
G: —	G: —

SAVOY

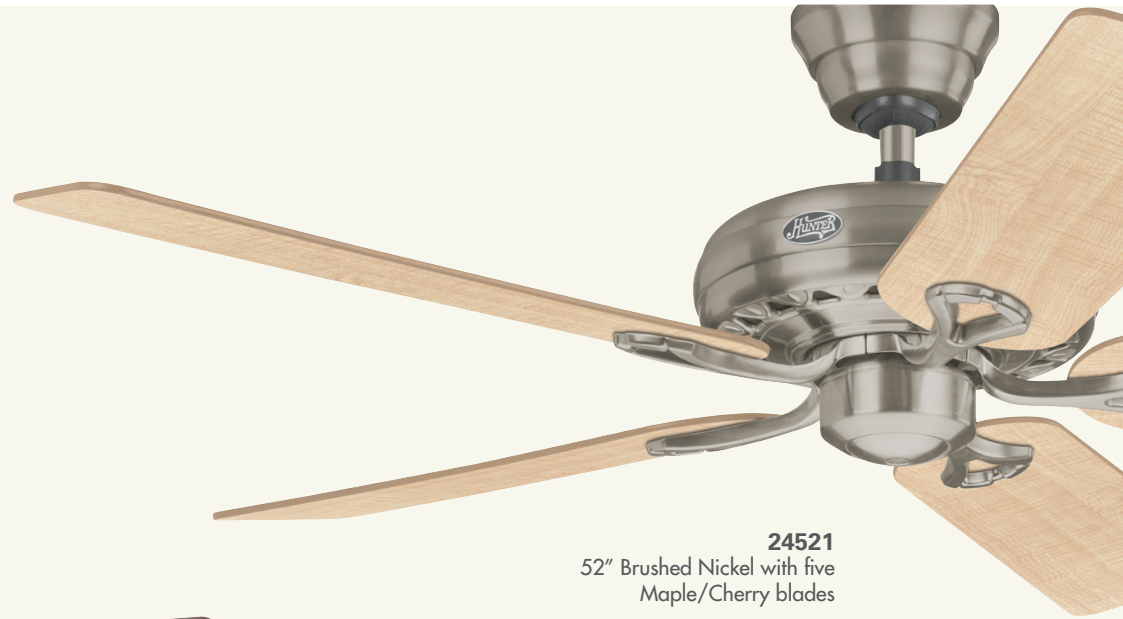
- Motor size: 172 mm x 15 mm
- 52 in or 132 cm
- Light kit adaptable
- Limited lifetime warranty



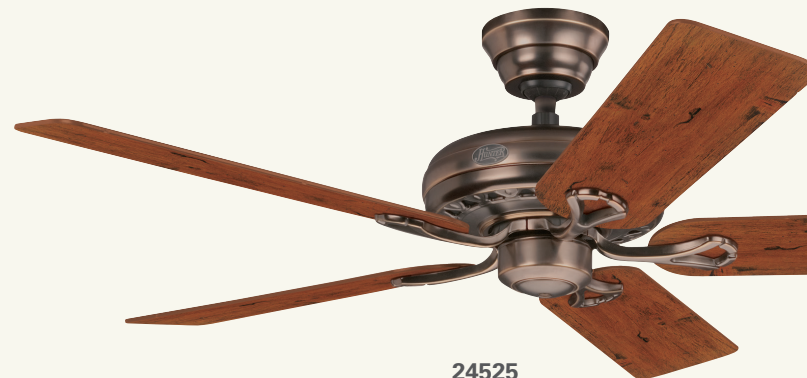
24526
52" White with five
White/Light Oak blades



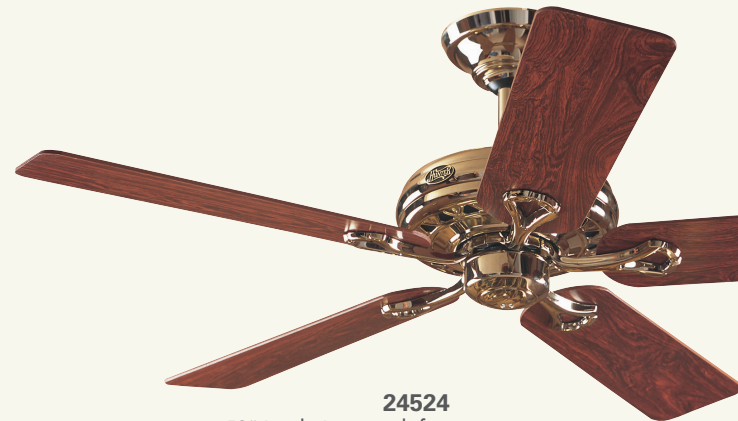
24520
52" Antique Brass with five
Rosewood/Medium Oak blades



24521
52" Brushed Nickel with five
Maple/Cherry blades

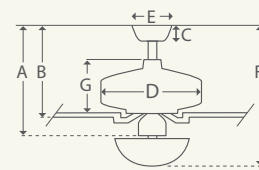


24525
52" Amber Bronze with five
Distressed Cherry/Mahogany blades



24524
52" Bright Brass with five
Rosewood/Oak blades

Fan Speed	RPM	Airflow	Wattage	Airflow (in m ³ /hr)	Efficiency (in m ³ /hr/w)
High	200	5677	70	9645	137.8
Medium	166	4493	47	7634	162.9
Low	108	2899	22	4925	223.9



Dimensions (in)		Dimensions (cm)	
A:	12.50 in	A:	31.75 cm
B:	11.50 in	B:	29.21 cm
C:	3.25 in	C:	8.26 cm
D:	11.88 in	D:	30.18 cm
E:	6.20 in	E:	15.75 cm
F:	—	F:	—
G:	4.79 in	G:	12.17 cm

CLASSIC ORIGINAL

- Motor size: 50/60 Dual cycle motor
- 52 in or 132 cm
- Furniture grade veneer blades
- Light kit adaptable
- Limited lifetime warranty

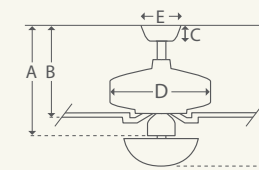


24885
52" Weathered Bronze with five
Light Walnut/Light Cherry blades



24881
52" White with five
White blades

Fan Speed	RPM	Airflow	Wattage	Airflow (in m ³ /hr)	Efficiency (in m ³ /hr/w)
High	200	7056	76.8	11988	156.1
Medium	149	4994	48.7	8485	174.2
Low	75	2353	17.1	3997.8	225.9



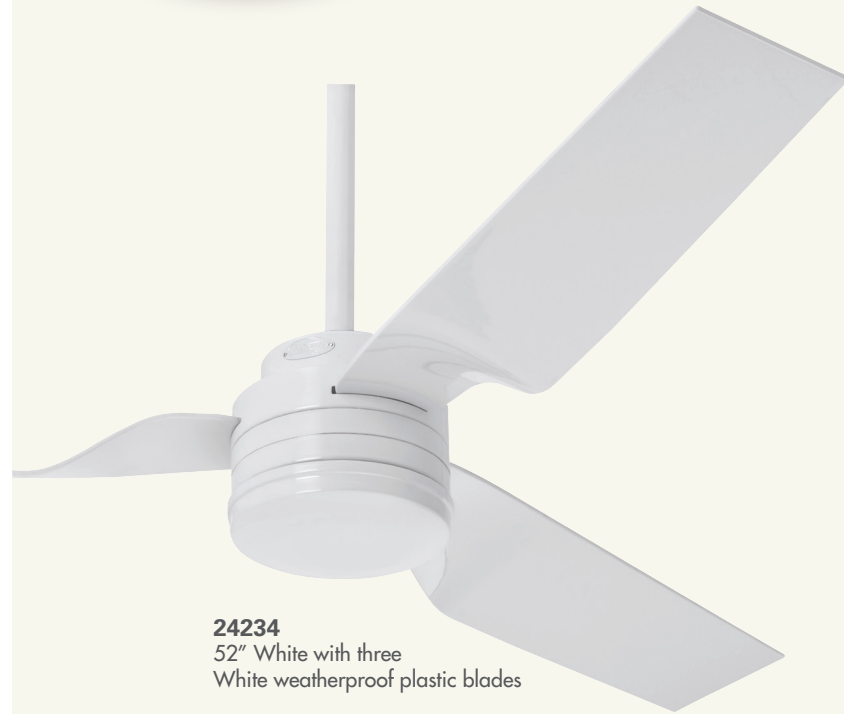
Dimensions (in)		Dimensions (cm)	
A:	14.25 in	A:	36.20 cm
B:	11.29 in	B:	28.70 cm
C:	3.25 in	C:	8.26 cm
D:	12.50 in	D:	31.75 cm
E:	6.20 in	E:	15.75 cm
F:	—	F:	—
G:	—	G:	—

CABO FRIO

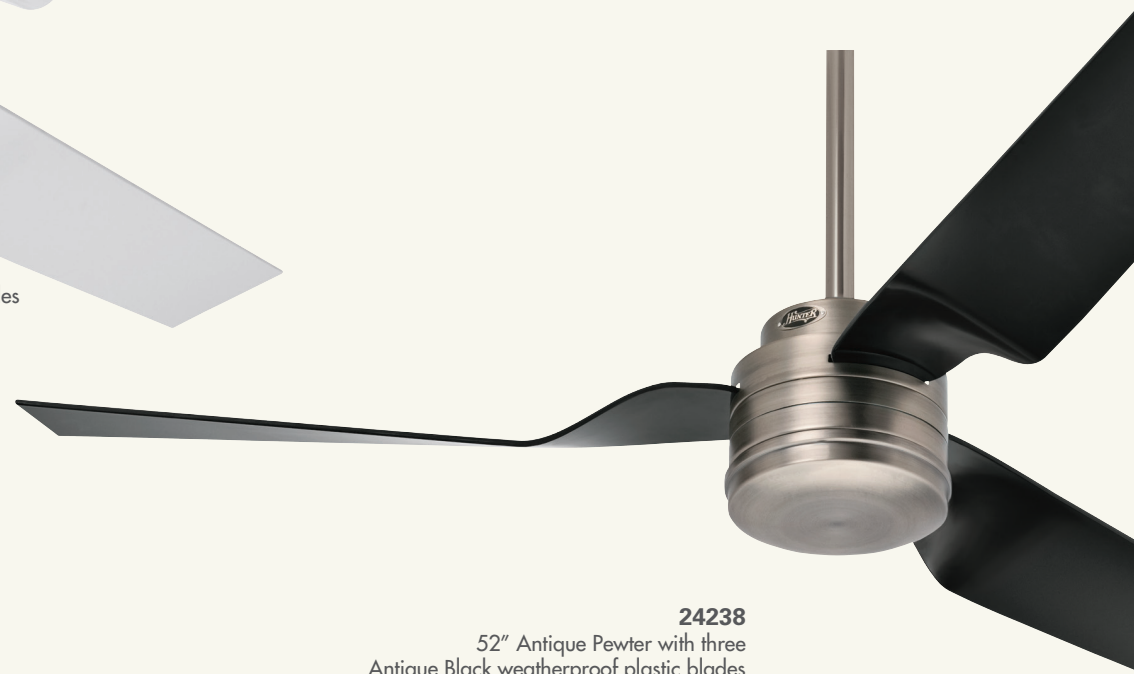
- Motor size: 172 mm x 20 mm
- 52 in or 132 cm
- Damp Listed for use in covered porches, patios and sunrooms
- Light kit adaptable for indoor use only
- Limited lifetime warranty



24235
52" New Bronze with three
Coffee Beech weatherproof plastic blades

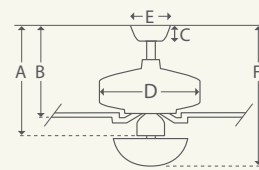


24234
52" White with three
White weatherproof plastic blades



24238
52" Antique Pewter with three
Antique Black weatherproof plastic blades

Fan Speed	RPM	Airflow	Wattage	Airflow (in m ³ /hr)	Efficiency (in m ³ /hr/w)
High	190	5957	71.7	10120	141.2
Medium	135	4233	37.7	7192	190.8
Low	73	2479	15	4212	280.8



Dimensions (in)		Dimensions (cm)	
A:	12.80 in	A:	32.51 cm
B:	10.98 in	B:	27.89 cm
C:	3.25 in	C:	8.26 cm
D:	6.90 in	D:	17.53 cm
E:	6.20 in	E:	15.75 cm
F:	—	F:	—
G:	3.41 in	G:	8.66 cm

MARIBEL

- Motor size: 172 mm x 20 mm
- 52 in or 132 cm
- Wet Listed for use in covered and uncovered applications
- Aluminum housing with stainless steel hardware
- Light kit adaptable
- Limited lifetime warranty

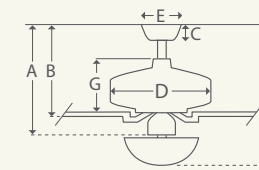


24355
52" New Bronze with five
Walnut weatherproof plastic blades



24357
52" White with five
White weatherproof plastic blades

Fan Speed	RPM	Airflow	Wattage	Airflow (in m ³ /hr)	Efficiency (in m ³ /hr/w)
High	171	5142	62.3	8736	140.2
Medium	130	3987	34.9	6774	194.1
Low	86	2393	15.2	4066	267.5



Dimensions (in)		Dimensions (cm)	
A:	13.90 in	A:	35.31 cm
B:	12.30 in	B:	31.24 cm
C:	3.70 in	C:	9.40 cm
D:	12.20 in	D:	30.99 cm
E:	6.40 in	E:	16.26 cm
F:	—	F:	—
G:	6.30 in	G:	16.00 cm

OUTDOOR ELEMENTS II

- Motor size: 172 mm x 20 mm
- 52 in or 132 cm
- Wet Listed for use in covered and uncovered applications
- Aluminum housing with stainless steel hardware
- Light kit adaptable
- Limited lifetime warranty

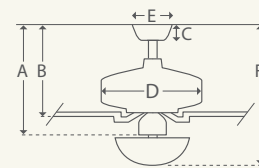


24324
52" Weathered Brick with five
Solid Teak blades



24326
52" White with five
White weatherproof plastic blades

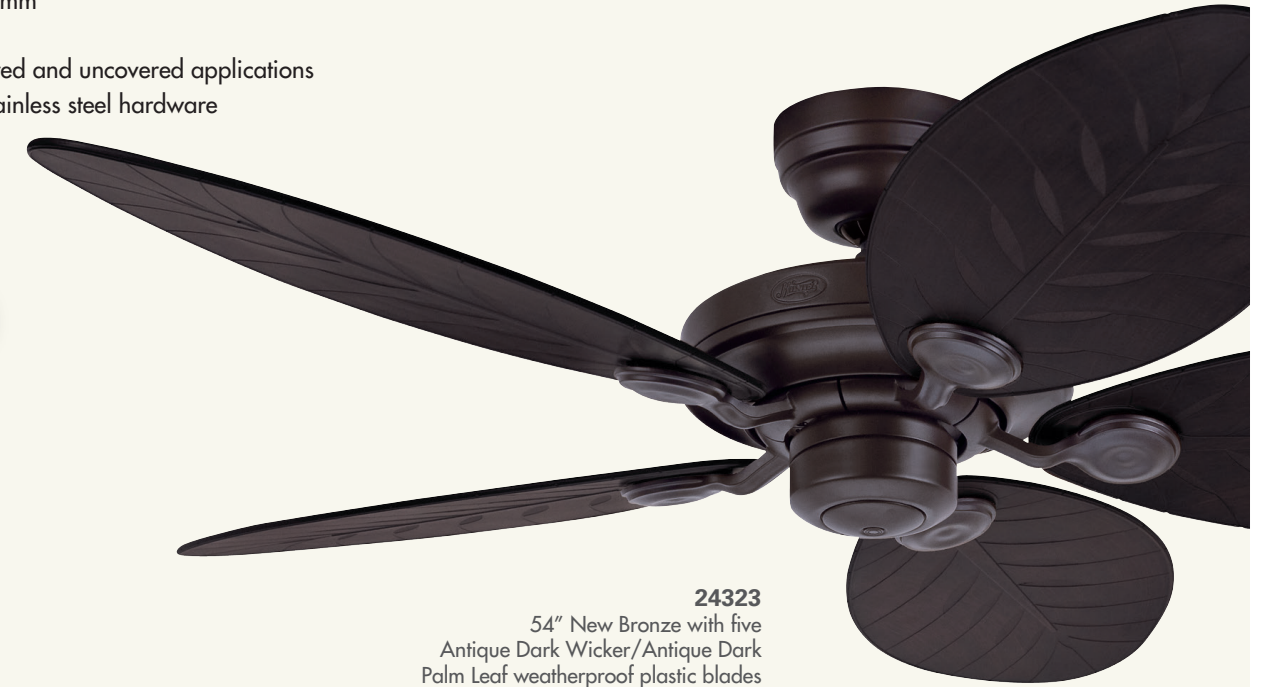
Fan Speed	RPM	Airflow	Wattage	Airflow (in m ³ /hr)	Efficiency (in m ³ /hr/w)
High	171	5142	62.3	8736	140.2
Medium	130	3987	35	6774	193.5
Low	86	2393	15.2	4066	267.5



Dimensions (in)	Dimensions (cm)
A: 13.25 in	A: 33.66 cm
B: 11.50 in	B: 29.21 cm
C: 3.25 in	C: 8.26 cm
D: 11.50 in	D: 29.21 cm
E: 6.20 in	E: 15.75 cm
F: —	F: —
G: 5.47 in	G: 13.89 cm

OUTDOOR ELEMENTS II

- Motor size: 172 mm x 20 mm
- 54 in or 137 cm
- Wet Listed for use in covered and uncovered applications
- Aluminum housing with stainless steel hardware
- Light kit adaptable
- Limited lifetime warranty

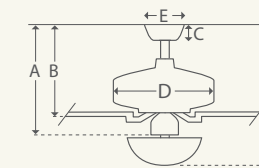


24323
54" New Bronze with five
Antique Dark Wicker/Antique Dark
Palm Leaf weatherproof plastic blades



24325
54" Raw Aluminum with five
Natural Wicker/Palm Leaf
weatherproof plastic blades

Fan Speed	RPM	Airflow	Wattage	Airflow (in m ³ /hr)	Efficiency (in m ³ /hr/w)
High	171	5142	62.3	8736	140.2
Medium	130	3987	35	6774	193.5
Low	86	2393	15.2	4066	267.5



Dimensions (in)	Dimensions (cm)
A: 13.25 in	A: 33.66 cm
B: 11.50 in	B: 29.21 cm
C: 3.25 in	C: 8.26 cm
D: 11.50 in	D: 29.21 cm
E: 6.20 in	E: 15.75 cm
F: —	F: —
G: 5.47 in	G: 13.89 cm